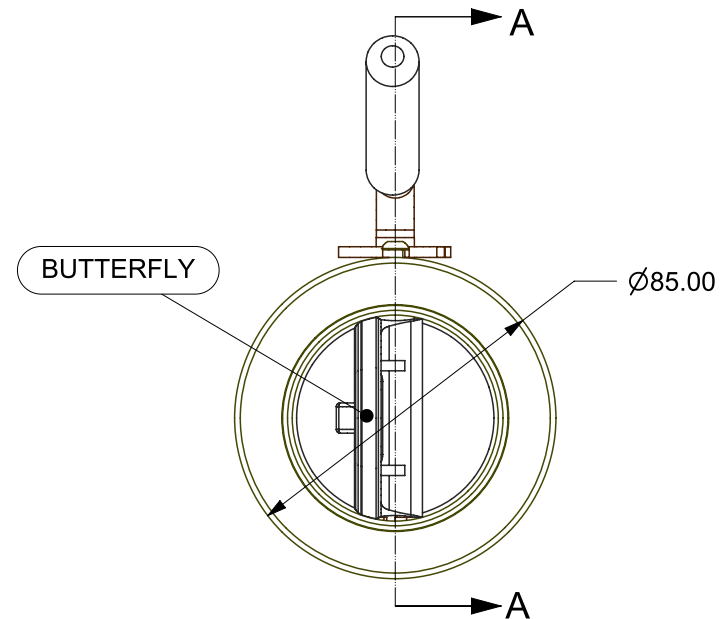


SECTION A-A

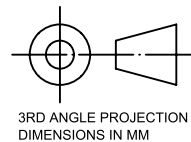


ZONE	1	FIRST ISSUE	DATE
	REV No.	REVISION	

THIS DRAWING REMAINS THE PROPERTY OF BAILEY WAREHAM LIMITED AND MAY NOT BE REPRODUCED WITHOUT WRITTEN CONSENT

REMOVE ALL SHARP CORNERS 0.3 x 45° TYP. ALL FILLET RADII 0.4 MAX. UNLESS OTHERWISE STATED

MATERIAL



TOLERANCES UNLESS OTHERWISE STATED  
OPEN ±0.5  
1 PLACE ±0.25  
2 PLACES ±0.1  
3 PLACES ±0.05  
ANGULAR ±0.25°

**TOTE SOLUTIONS LTD.**

TITLE

V50 'ECO' 2" BSP F x 2" BSP F

SIZE  
**A4**

REV  
**1**

DWG NO

**TSFVE201-23N**

SCALE 1:2

DATE

23/05/2017

SHEET 2 OF 2