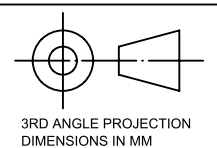
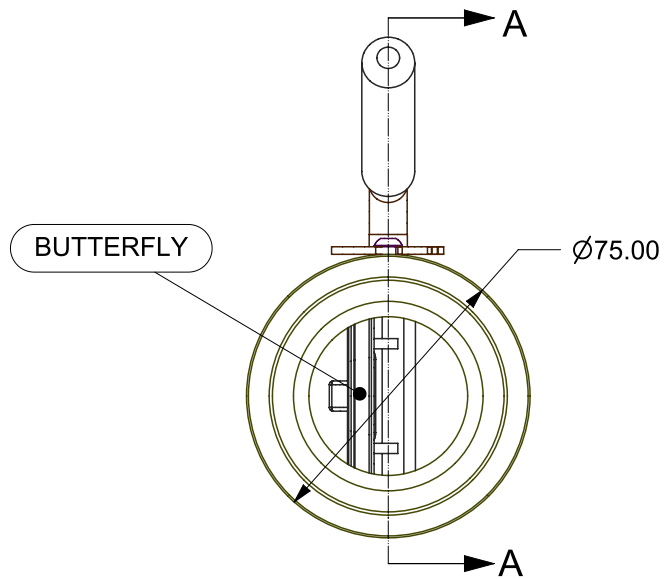


SECTION A-A



TOTE SOLUTIONS LTD.

TITLE

V50 'ECO' 2" BSP F x 2" CAMLOCK M

SIZE
A4

REV
1

DWG NO
TSFVEB201-36N-D3

SCALE 1:2

DATE

SHEET 2 OF 2

1	FIRST ISSUE	
ZONE	REV No.	REVISION
		DATE

THIS DRAWING REMAINS THE PROPERTY OF BAILEY WAREHAM LIMITED AND MAY NOT BE REPRODUCED WITHOUT WRITTEN CONSENT

REMOVE ALL SHARP CORNERS 0.3 x 45° TYP.
ALL FILLET RADII 0.4 MAX. UNLESS OTHERWISE STATED

MATERIAL

TOLERANCES UNLESS OTHERWISE STATED
OPEN ±0.5
1 PLACE ±0.1
2 PLACES ±0.05
3 PLACES ±0.05
ANGULAR ±0.25°