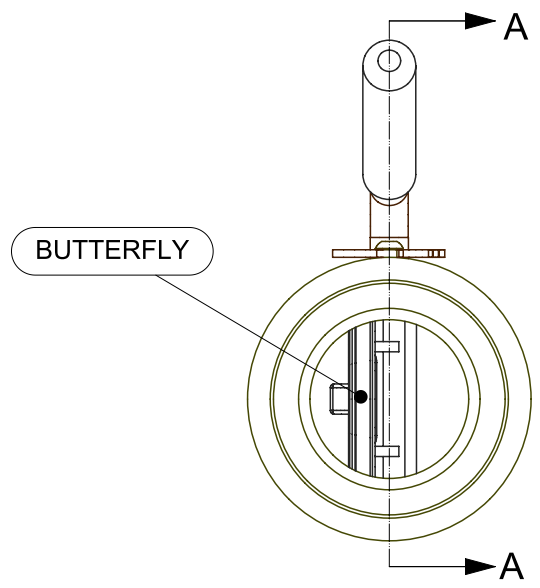
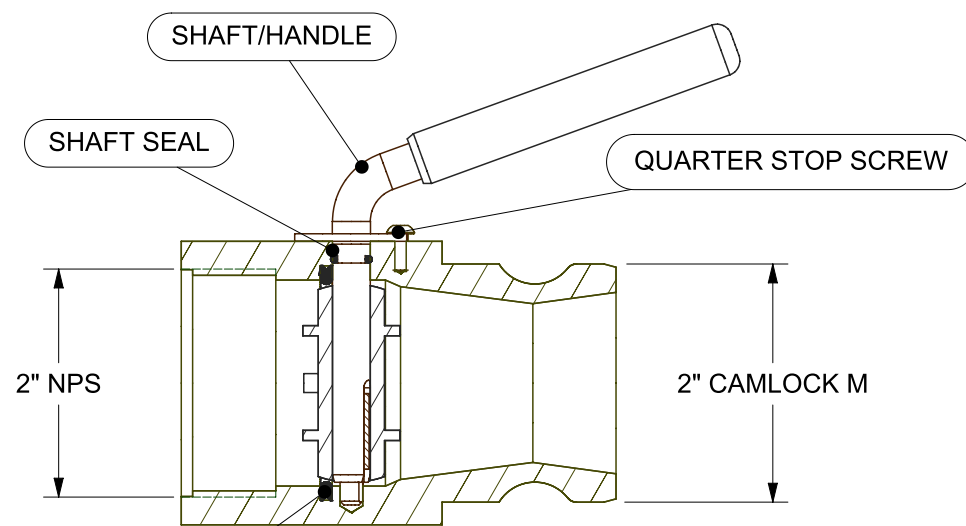
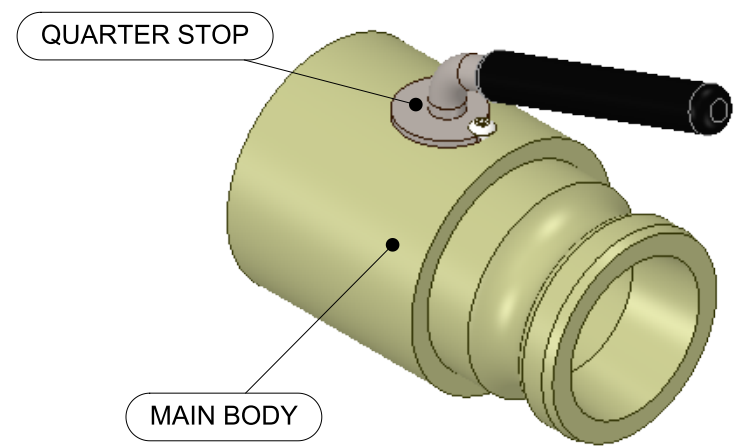
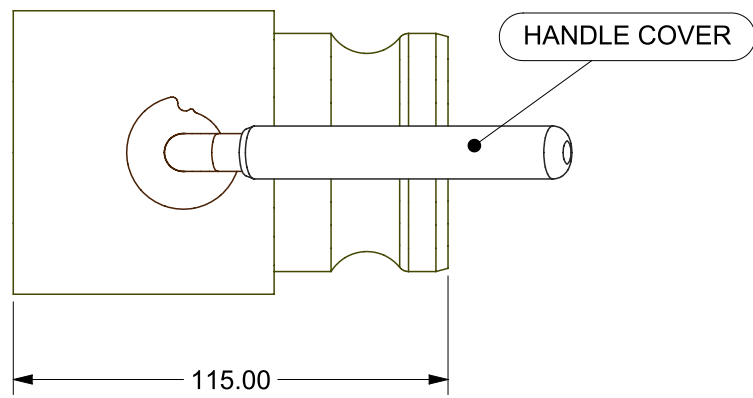
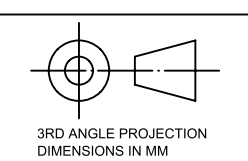


1 2 3 4 5 6

A B C D



SECTION A-A



TOTE SOLUTIONS LTD.

TITLE
V50 'ECO' 2" NPSF F x 2" CAMLOCK M

1	FIRST ISSUE		DATE
ZONE	REV No.	REVISION	

THIS DRAWING REMAINS THE PROPERTY OF BAILEY WAREHAM LIMITED AND MAY NOT BE REPRODUCED WITHOUT WRITTEN CONSENT

REMOVE ALL SHARP CORNERS 0.3 x 45° TYP.
ALL FILLET RADII 0.4 MAX. UNLESS OTHERWISE STATED

MATERIAL

TOLERANCES UNLESS OTHERWISE STATED
OPEN ±0.5
1 PLACE ±0.25
2 PLACES ±0.1
3 PLACES ±0.05
ANGULAR ±0.25°

SIZE
A4

SCALE 1:2

REV
1

DATE
23/05/2017

DWG NO
TSFVEB201-37N

SHEET 2 OF 2

1 2 3 4 5 6