

1

2

3

4

5

6

A

B

C

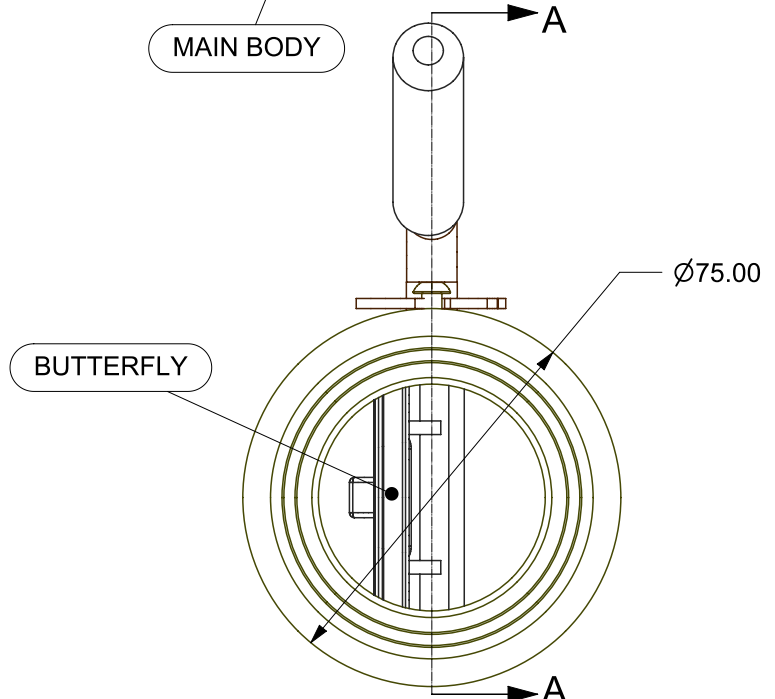
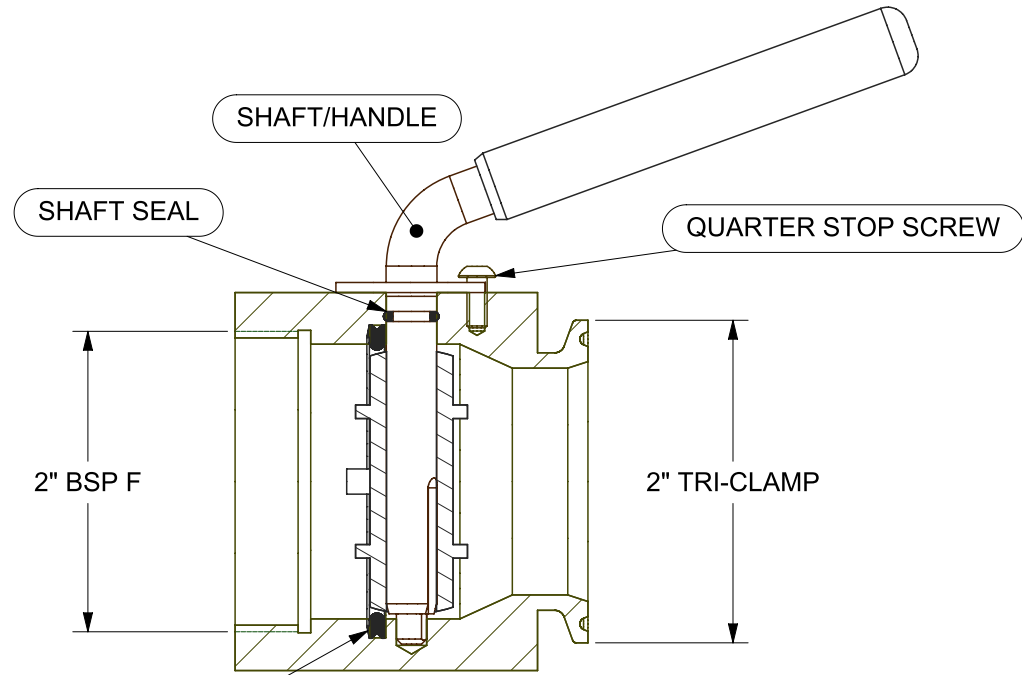
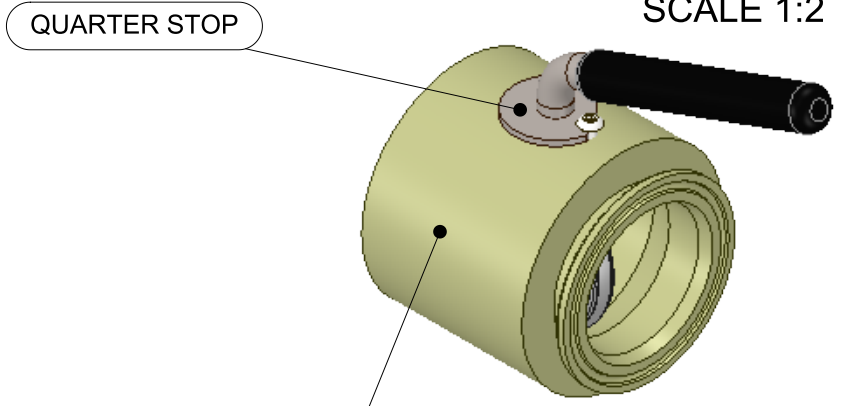
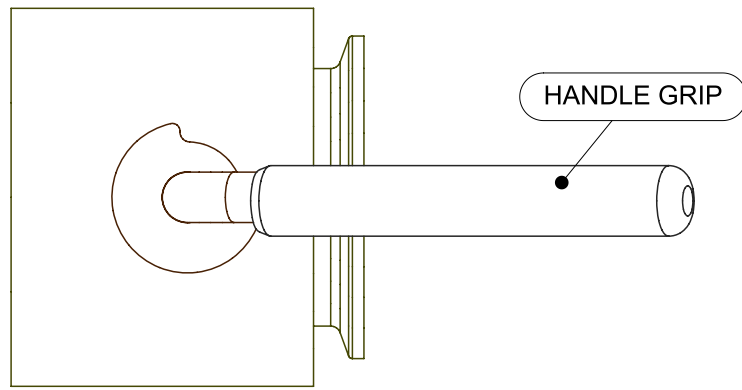
D

A

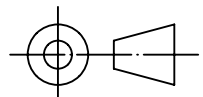
B

C

D



SECTION A-A



3RD ANGLE PROJECTION  
DIMENSIONS IN MM

TOLERANCES UNLESS OTHERWISE STATED

OPEN ±0.5

1 PLACE ±0.1

2 PLACES ±0.05

3 PLACES ±0.05

ANGULAR ±0.25°

TOTE SOLUTIONS LTD.

TITLE  
V50 ECO FLEXI-VALVE

1	FIRST ISSUE	DATE
ZONE	REV No.	REVISION

THIS DRAWING REMAINS THE PROPERTY OF BAILEY WAREHAM LIMITED AND MAY NOT BE REPRODUCED WITHOUT WRITTEN CONSENT

REMOVE ALL SHARP CORNERS 0.3 x 45° TYP.  
ALL FILLET RADII 0.4 MAX. UNLESS OTHERWISE STATED

MATERIAL

SIZE  
A4

REV  
1

DWG NO  
TSFVEB201-92N

SCALE  
2:3

DATE

SHEET  
2 OF 2

1

2

3

4

5

6