

1

2

3

4

5

6

A

B

C

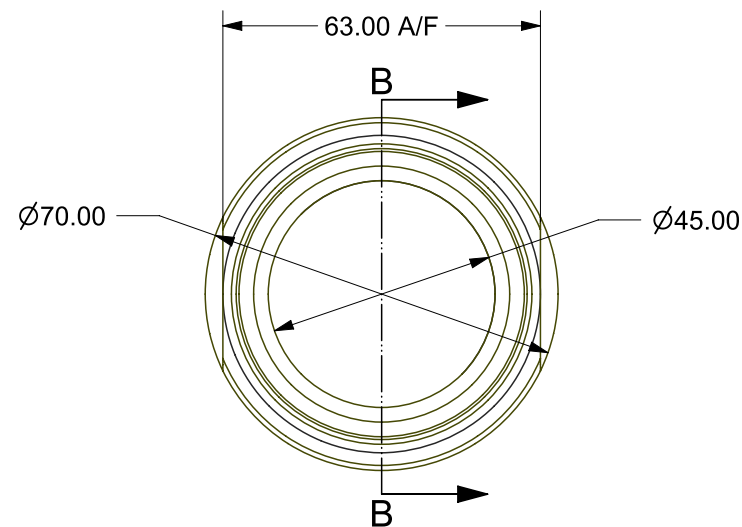
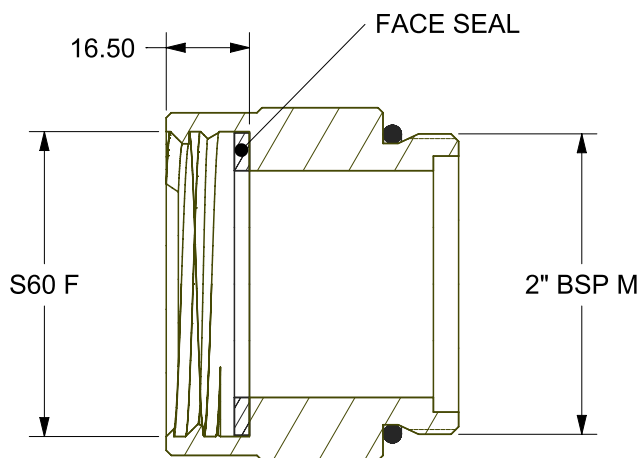
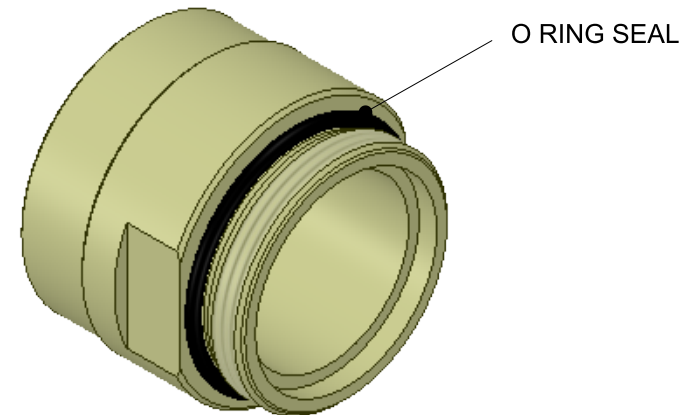
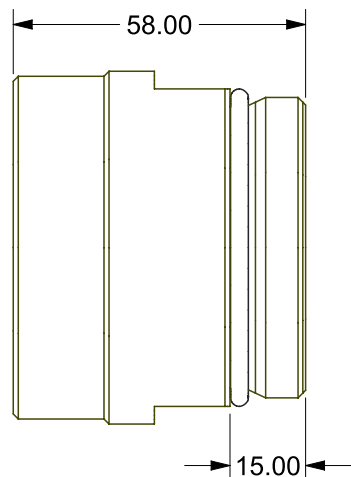
D

A

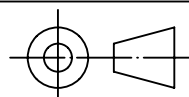
B

C

D



SECTION B-B



3RD ANGLE PROJECTION  
DIMENSIONS IN MM

TOTE SOLUTIONS LTD.

TITLE  
S60 F X 2" BSP M ADAPTOR

1	FIRST ISSUE	
ZONE	REV No.	REVISION
		DATE

THIS DRAWING REMAINS THE PROPERTY OF BAILEY WAREHAM LIMITED AND MAY NOT BE REPRODUCED WITHOUT WRITTEN CONSENT

REMOVE ALL SHARP CORNERS 0.3 x 45° TYP. ALL FILLET RADII 0.4 MAX. UNLESS OTHERWISE STATED

MATERIAL  
FOOD GRADE  
POLYPROPYLENE

TOLERANCES UNLESS OTHERWISE STATED  
OPEN ±0.5  
1 PLACE ±0.25  
2 PLACES ±0.1  
3 PLACES ±0.05  
ANGULAR ±0.25°

SIZE A4 REV 3 DWG NO TSFVWT202-32-D4

SCALE 2:3 DATE 21/04/2020 SHEET 2 OF 2

1

2

3

4

5

6