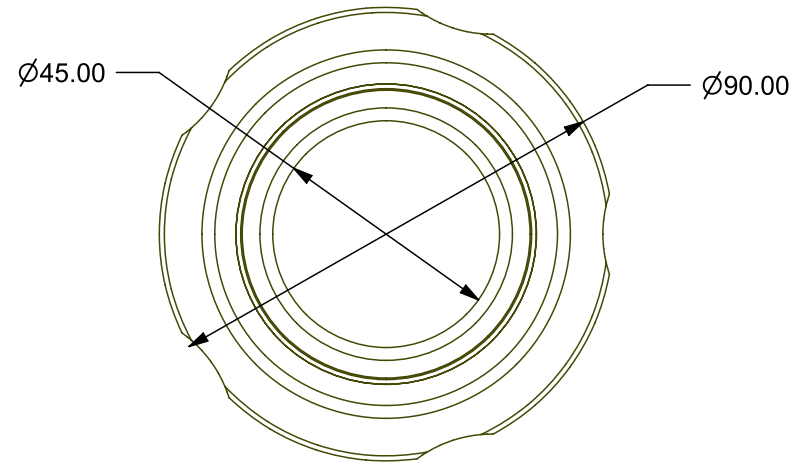
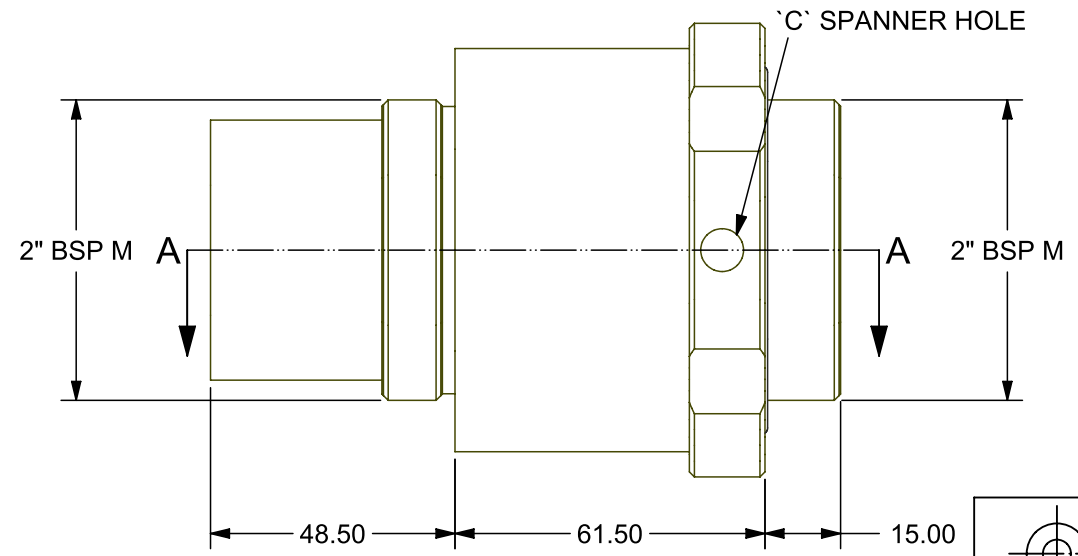
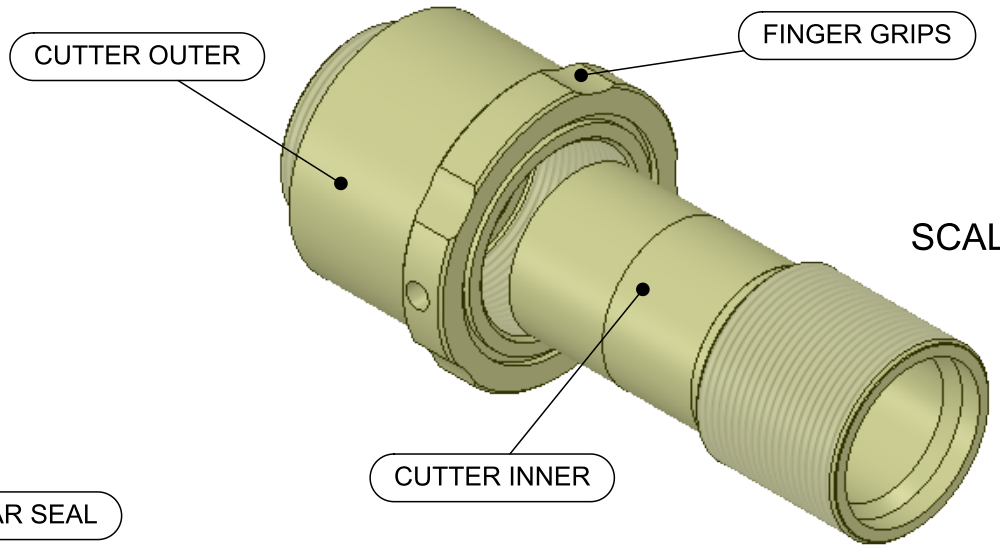
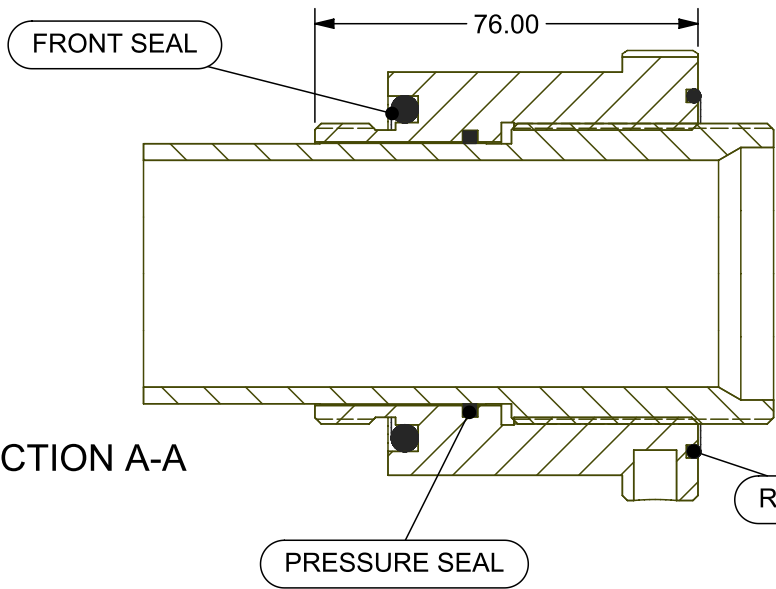


1 2 3 4 5 6

A
B
C
D

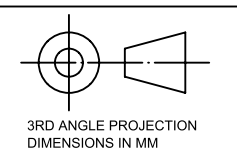


1	FIRST ISSUE	DATE
ZONE	REV No.	REVISION

THIS DRAWING REMAINS THE PROPERTY OF BAILEY WAREHAM LIMITED AND MAY NOT BE REPRODUCED WITHOUT WRITTEN CONSENT

REMOVE ALL SHARP CORNERS 0.3 x 45° TYP. ALL FILLET RADII 0.4 MAX. UNLESS OTHERWISE STATED

MATERIAL
FOOD GRADE
POLYPROPYLENE



TOLERANCES UNLESS OTHERWISE STATED
OPEN ±0.5
1 PLACE ±0.25
2 PLACES ±0.1
3 PLACES ±0.05
ANGULAR ±0.25°

TOTE SOLUTIONS LTD.

TITLE
2" 2 PART CUTTER ASSY - EPDM

SIZE **A4** REV **3** DWG NO **TSFVWT207-24**

SCALE **2:3** DATE SHEET **1 OF 2**

1 2 3 4 5 6