

1 2 3 4 5 6

A

B

C

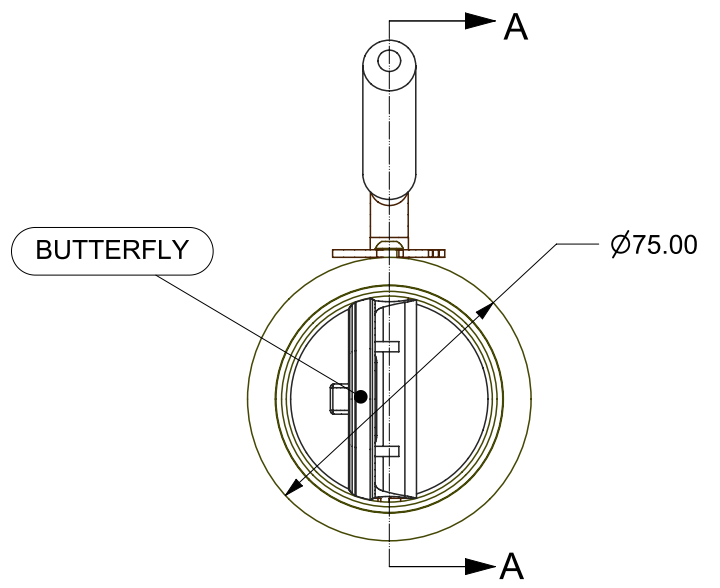
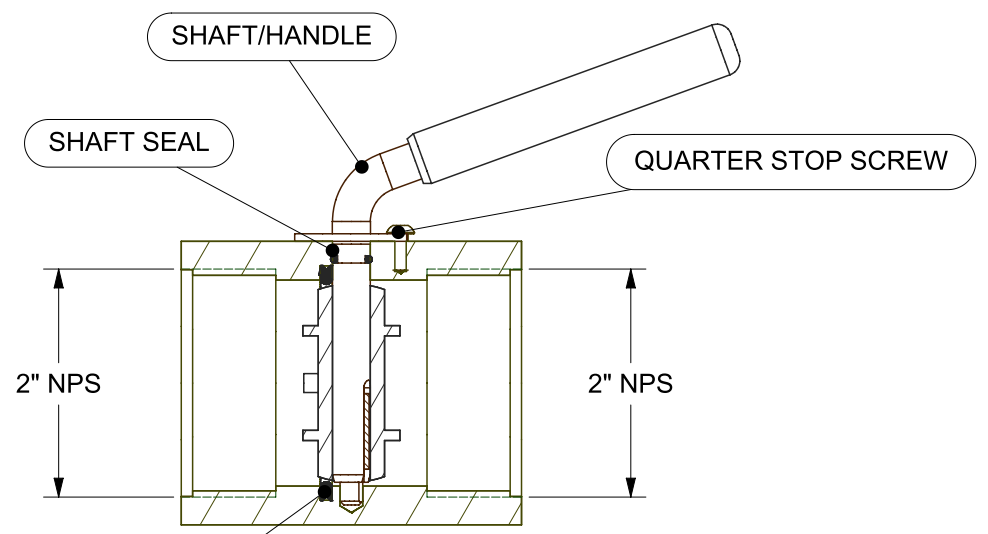
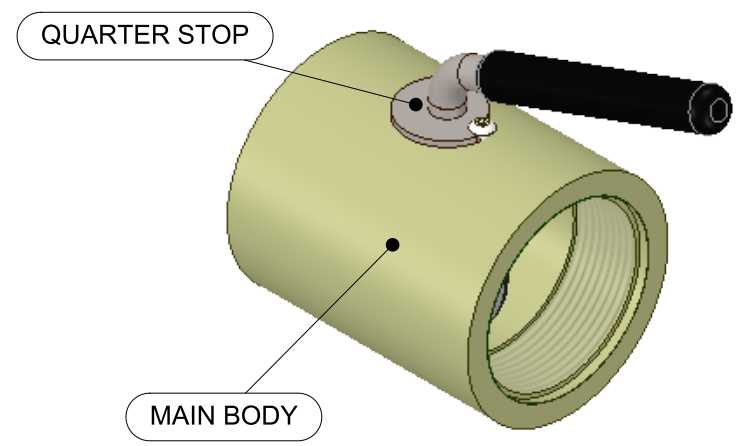
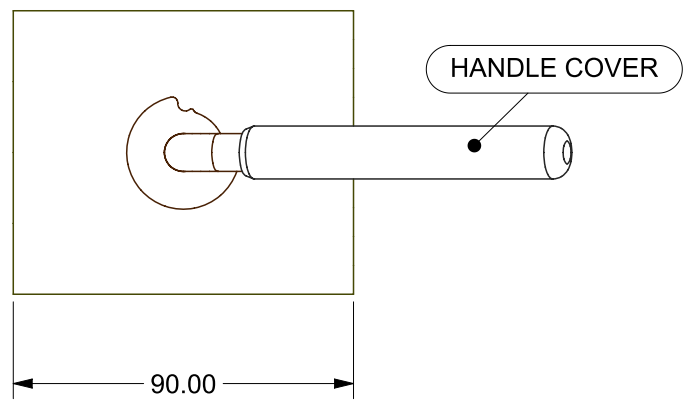
D

A

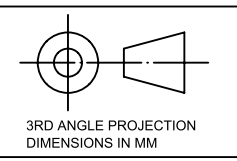
B

C

D



SECTION A-A



**TOTE SOLUTIONS LTD.**

TITLE  
**V50 'ECO' 2" NPSF F x 2" NPSF**

1	FIRST ISSUE	
ZONE	REV No.	REVISION
		DATE

THIS DRAWING REMAINS THE PROPERTY OF BAILEY WAREHAM LIMITED AND MAY NOT BE REPRODUCED WITHOUT WRITTEN CONSENT

REMOVE ALL SHARP CORNERS 0.3 x 45° TYP.  
ALL FILLET RADII 0.4 MAX. UNLESS OTHERWISE STATED

MATERIAL

TOLERANCES UNLESS OTHERWISE STATED  
OPEN ±0.5  
1 PLACE ±0.25  
2 PLACES ±0.1  
3 PLACES ±0.05  
ANGULAR ±0.25°

SIZE  
**A4**

REV  
**1**

DWG NO  
**TSFVEB201-24N**

SCALE  
**1:2**

DATE  
**23/05/2017**

SHEET  
**2 OF 2**

1 2 3 4 5 6