

1 2 3 4 5 6

A

B

C

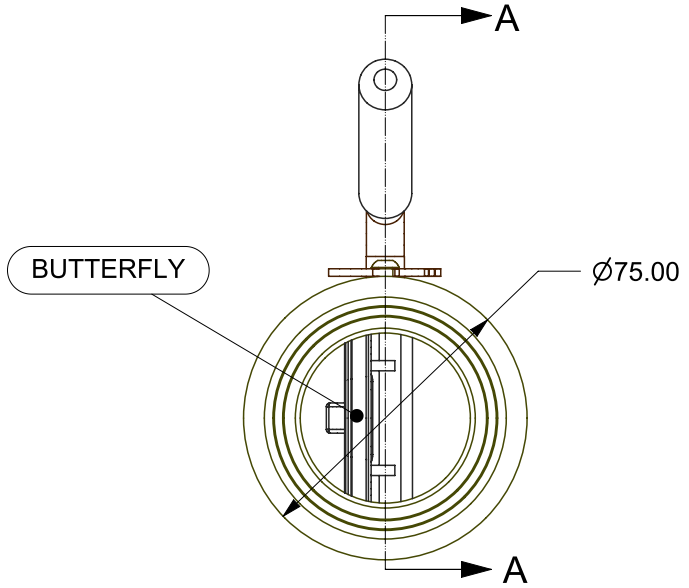
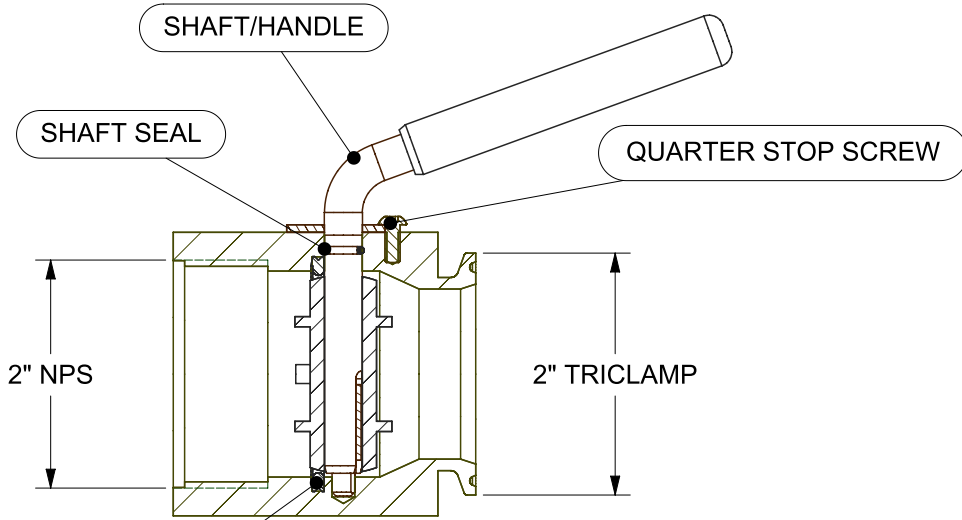
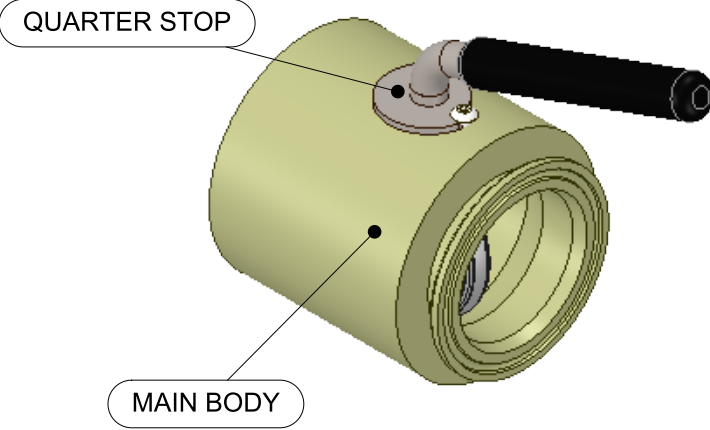
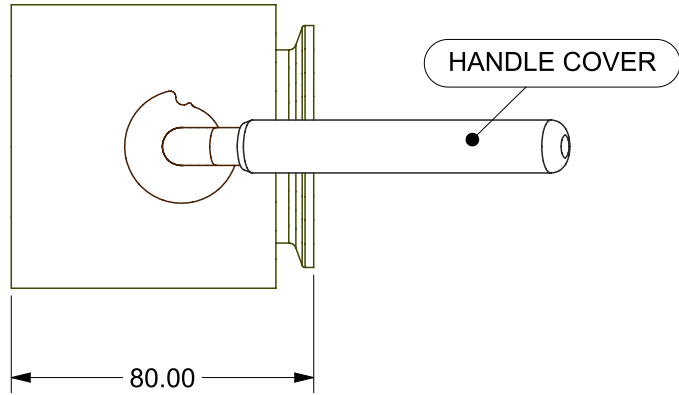
D

A

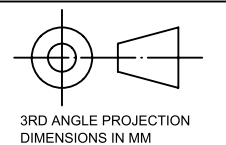
B

C

D



BODY SEAL **SECTION A-A**



TOTE SOLUTIONS LTD.

TITLE
V50 'ECO' 2" NPSF F x 2" TRICLAMP

1	FIRST ISSUE	DATE
ZONE	REV No.	REVISION

THIS DRAWING REMAINS THE PROPERTY OF BAILEY WAREHAM LIMITED AND MAY NOT BE REPRODUCED WITHOUT WRITTEN CONSENT

REMOVE ALL SHARP CORNERS 0.3 x 45° TYP.
ALL FILLET RADII 0.4 MAX. UNLESS OTHERWISE STATED

MATERIAL

TOLERANCES UNLESS OTHERWISE STATED
OPEN ±0.5
1 PLACE ±0.25
2 PLACES ±0.1
3 PLACES ±0.05
ANGULAR ±0.25°

SIZE **A4** REV **1**

DWG NO **TSFVEB201-91N**

SCALE **1:2**

DATE **23/05/2017**

SHEET **2 OF 2**

1 2 3 4 5 6