

1

2

3

4

5

6

A

B

C

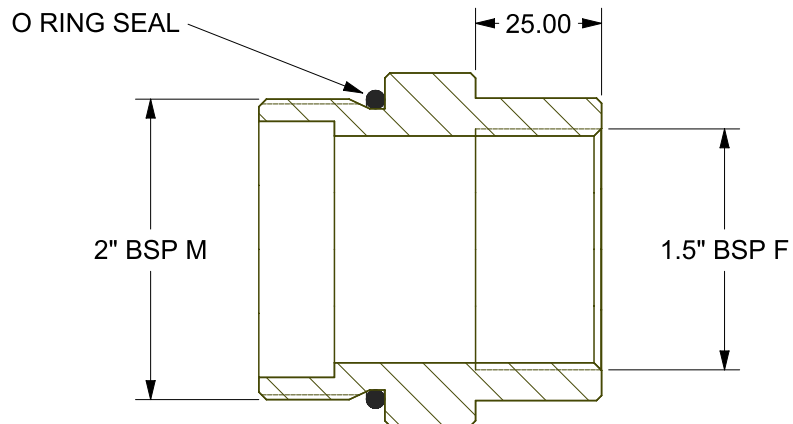
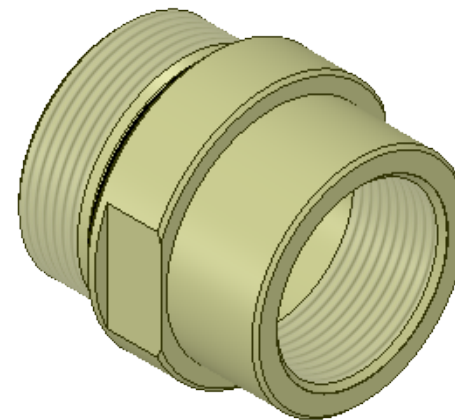
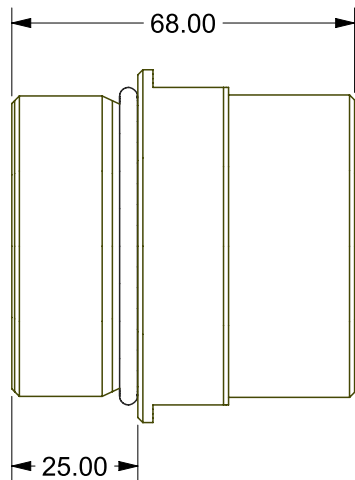
D

A

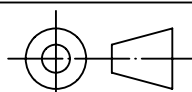
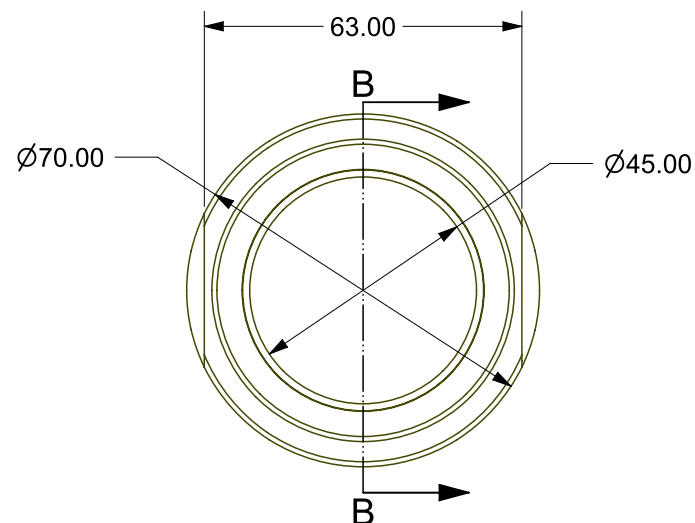
B

C

D



SECTION B-B



3RD ANGLE PROJECTION
DIMENSIONS IN MM

TOLERANCES UNLESS OTHERWISE STATED

OPEN ±0.5

1 PLACE ±0.1

2 PLACES ±0.05

3 PLACES ±0.05

ANGULAR ±0.25°

TOTE SOLUTIONS LTD.

TITLE
2" BSP M X 1.5" BSP F ADAPTOR

1	FIRST ISSUE	
ZONE	REV No.	REVISION
		DATE

THIS DRAWING REMAINS THE PROPERTY OF BAILEY WAREHAM LIMITED AND MAY NOT BE REPRODUCED WITHOUT WRITTEN CONSENT

REMOVE ALL SHARP CORNERS 0.3 x 45° TYP.
ALL FILLET RADII 0.4 MAX.
UNLESS OTHERWISE STATED

MATERIAL
FOOD GRADE
POLYPROPYLENE

SIZE **A4** REV **2** DWG NO **TSFVWT202-67**

SCALE **2:3** DATE **6/4/2020** SHEET **2 OF 2**

1

2

3

4

5

6