

1

2

3

4

5

6

A

A

B

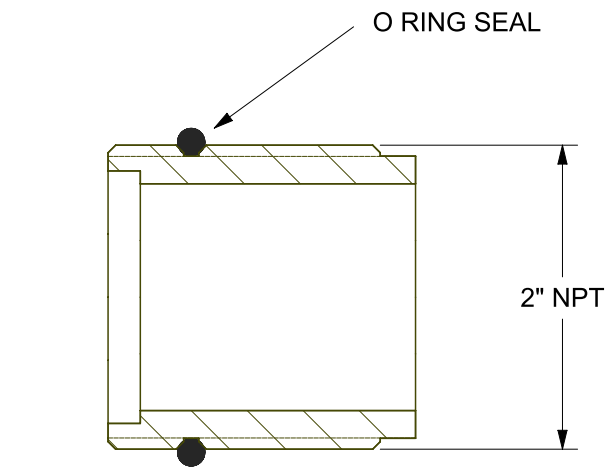
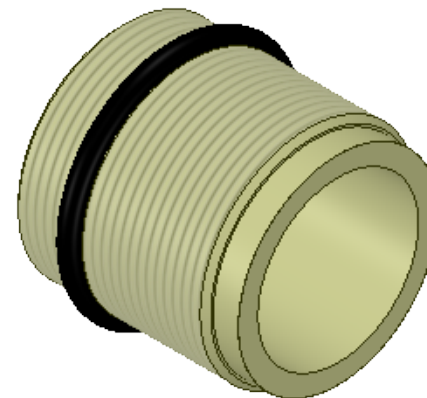
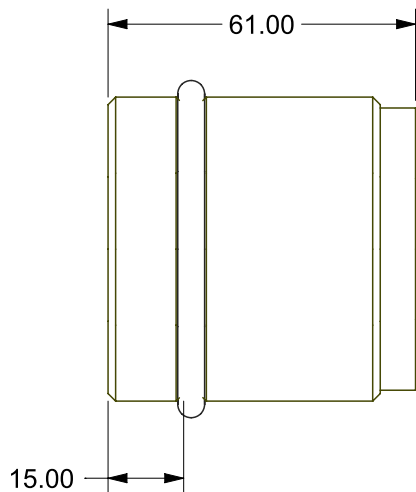
B

C

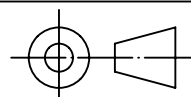
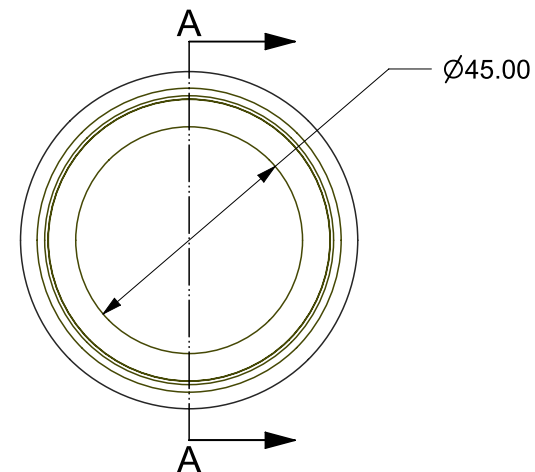
C

D

D



SECTION A-A



3RD ANGLE PROJECTION
DIMENSIONS IN MM

TOLERANCES UNLESS OTHERWISE STATED
 OPEN ±0.5
 1 PLACE ±0.25
 2 PLACES ±0.1
 3 PLACES ±0.05
 ANGULAR ±0.25°

TOTE SOLUTIONS LTD.

TITLE
2" NPT ADAPTOR/CUTTER PUSHER

1	FIRST ISSUE	
ZONE	REV No.	REVISION
		DATE

THIS DRAWING REMAINS THE PROPERTY OF BAILEY WAREHAM LIMITED AND MAY NOT BE REPRODUCED WITHOUT WRITTEN CONSENT

REMOVE ALL SHARP CORNERS 0.3 x 45° TYP.
 ALL FILLET RADII 0.4 MAX. UNLESS OTHERWISE STATED

MATERIAL
FOOD GRADE POLYPROPYLENE

SIZE **A4** REV **1** DWG NO **TSFVWT207-35A**

SCALE **2:3** DATE SHEET **1 OF 2**

1

2

3

4

5

6