

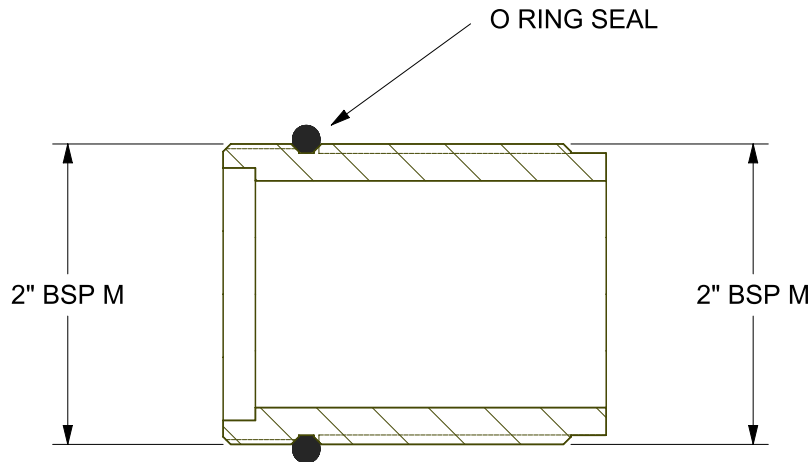
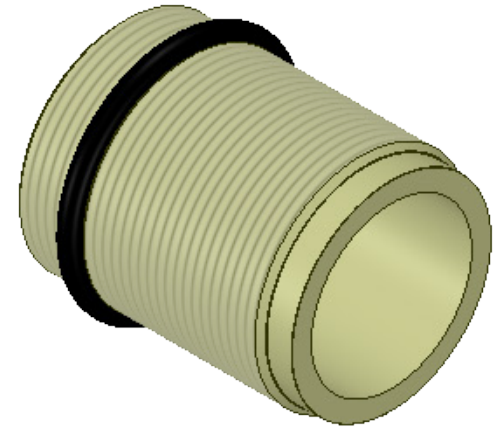
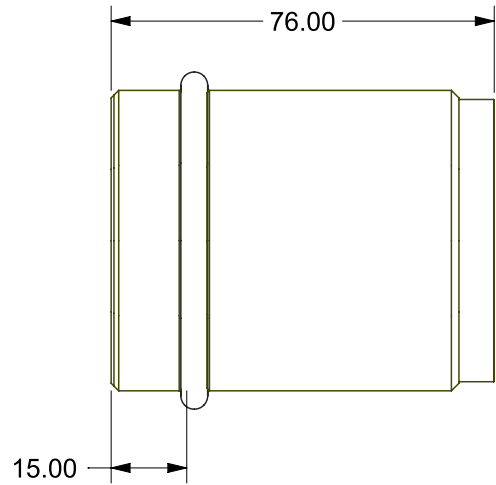
1 2 3 4 5 6

A

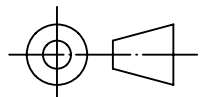
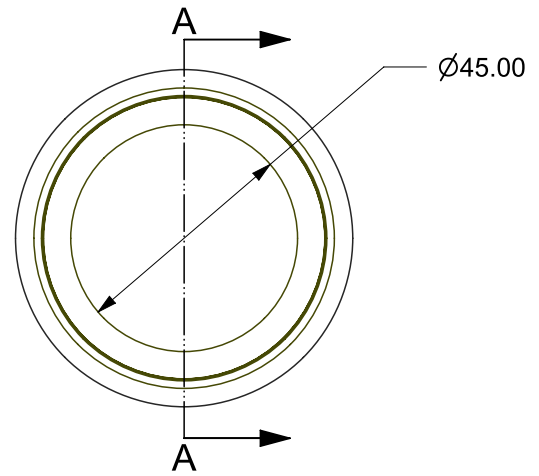
B

C

D



SECTION A-A



3RD ANGLE PROJECTION
DIMENSIONS IN MM

TOTE SOLUTIONS LTD.

TITLE
2" BSP ADAPTOR/CUTTER PUSHER

1	FIRST ISSUE	
ZONE	REV No.	REVISION
		DATE

THIS DRAWING REMAINS THE PROPERTY OF BAILEY WAREHAM LIMITED AND MAY NOT BE REPRODUCED WITHOUT WRITTEN CONSENT

REMOVE ALL SHARP CORNERS 0.3 x 45° TYP.
ALL FILLET RADII 0.4 MAX. UNLESS OTHERWISE STATED

MATERIAL

TOLERANCES UNLESS OTHERWISE STATED
OPEN ±0.5
1 PLACE ±0.25
2 PLACES ±0.1
3 PLACES ±0.05
ANGULAR ±0.25°

SIZE
A4

REV
1

DWG NO
TSFVWT207-35E

SCALE
2:3

DATE

SHEET
1 OF 2

1 2 3 4 5 6