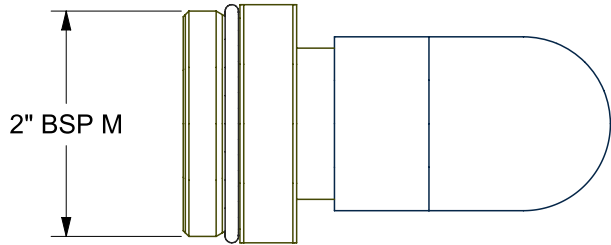


1 2 3 4 5 6

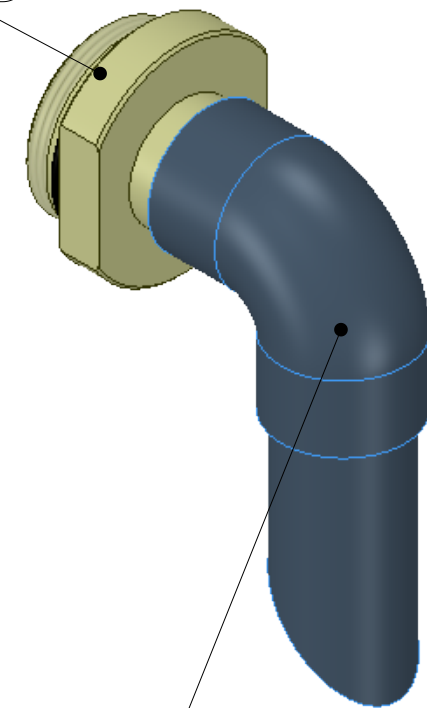
A

A



2" BSP M

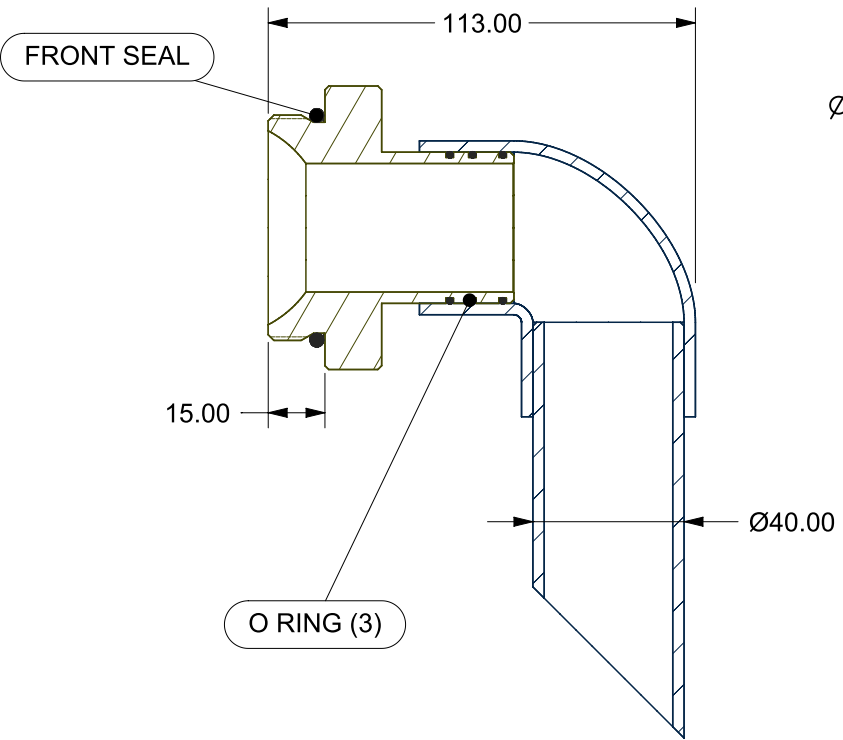
SPOUT BODY



ELBOW & VERTICAL PIPE - FREE TO ROTATE

B

B



FRONT SEAL

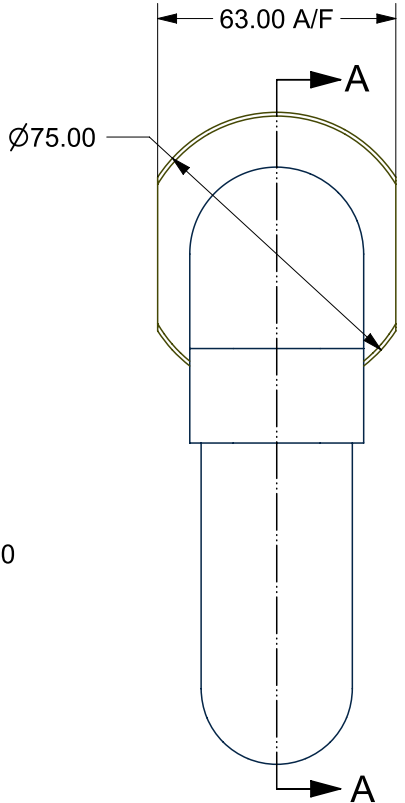
113.00

15.00

O RING (3)

Ø40.00

SECTION A-A



63.00 A/F

Ø75.00

A

A

D

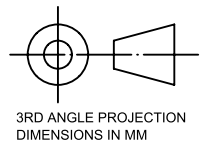
D

1	FIRST ISSUE	DATE
ZONE	REV No.	REVISION

THIS DRAWING REMAINS THE PROPERTY OF BAILEY WAREHAM LIMITED AND MAY NOT BE REPRODUCED WITHOUT WRITTEN CONSENT

REMOVE ALL SHARP CORNERS 0.3 x 45° TYP. ALL FILLET RADII 0.4 MAX. UNLESS OTHERWISE STATED

MATERIAL



3RD ANGLE PROJECTION DIMENSIONS IN MM

TOLERANCES UNLESS OTHERWISE STATED
 OPEN ±0.5
 1 PLACE ±0.25
 2 PLACES ±0.1
 3 PLACES ±0.05
 ANGULAR ±0.25°

TOTE SOLUTIONS LTD.

TITLE
 2" BSP M X 40 SHORT SPOUT

SIZE
 A4

REV
 4

DWG NO
 TSFVWT209-231

SCALE
 1:2

DATE

SHEET
 1 OF 1

1 2 3 4 5 6